

ECLIPSE RATIONOMATIC BURNERS

Data 110-8

5/93

Model 600 RM

Specifications

Input vs. Chamber Pressure	7,000,000 Btu/hr. @ -5.0" w.c.	2052 kW @ -12.5 mbar	
	6,600,000 Btu/hr. @ -3.0" w.c.	1934 kW @ -7.5 mbar	
	6,200,000 Btu/hr. @ -1.0" w.c.	1817 kW @ -2.5 mbar	
	6,000,000 Btu/hr. @ 0.0" w.c.	1759 kW @ 0.0 mbar	
	5,750,000 Btu/hr. @ +1.0" w.c.	1685 kW @ +2.5 mbar	
	5,500,000 Btu/hr. @ +2.0" w.c.	1612 kW @ +5.0 mbar	
Input may be increased by 20% if sufficient secondary air is available to complete combustion.			
Minimum Input	65,000 Btu/hr. (19.1 kW) With neutral chamber. Will be slightly higher with negative chamber pressure.		
Turndown	92:1 with neutral chamber pressure.		
Configurations	Burner Configuration	Max. Chamber Temp.	Assembly
	Cast head & alloy tube	1000° F (538° C)	110358
	Alloy head & alloy tube	1500° F (816° C)	110358-1
	Alloy head & refractory block	1800° F (982° C)	110336-1
Maximums shown are for average installations. Depending on conditions, higher temperatures can be obtained. Contact Eclipse for details.			
Fuel	Standard nozzle burns natural gas, propane, propane/air mixes without changing internals. Contact Eclipse for other fuels.		
Gas Inlet Pressure at the proportionator inlet	Minimum: 20" w.c. (50 mbar)	natural gas, .65 s.g.	
	Maximum: 2 psig (138 mbar)	natural gas, .65 s.g.	
Pilot Gas Pressure at the pilot cock inlet	Minimum: 6" w.c. (15 mbar)	natural gas, .65 s.g.	
High Fire Flame Length	66" (1.68 m)		
	Measured from the end of the firing tube, firing parallel to air flow with neutral chamber pressure. When firing perpendicular to air flow, flame length will be shorter. Contact your local Eclipse representative for details.		
Piloting	Integral spark-ignited pilot; ignition plug included.		
Flame Monitoring	Flame rod included; UV scanners & mounting kits available.		
Control Motor Requirements	90° travel with full stroke timing of 15 seconds or longer. Ovens with high chamber drafts or backpressures may require less than a full 90° stroke. In these cases, use adjustable stroke motors or motors equipped with travel-limiting auxiliary switches.		
Emissions	Rationomatics produce low NO _x , CO and aldehydes. Emissions performance depends not only on the burner, but also factors such as chamber temperature, chamber design, and heat loading. For estimates of Rationomatic performance in your application, call Eclipse.		
Packaging Options	Available with FM, IRI, or NFPA type valve trains. UL recognized and UL listed packages are also available.		

CAUTION: It is dangerous to use any fuel burning equipment unless it is equipped with suitable flame sensing devices and automatic fuel shut-off valves. Eclipse can supply such equipment or information on alternate sources.

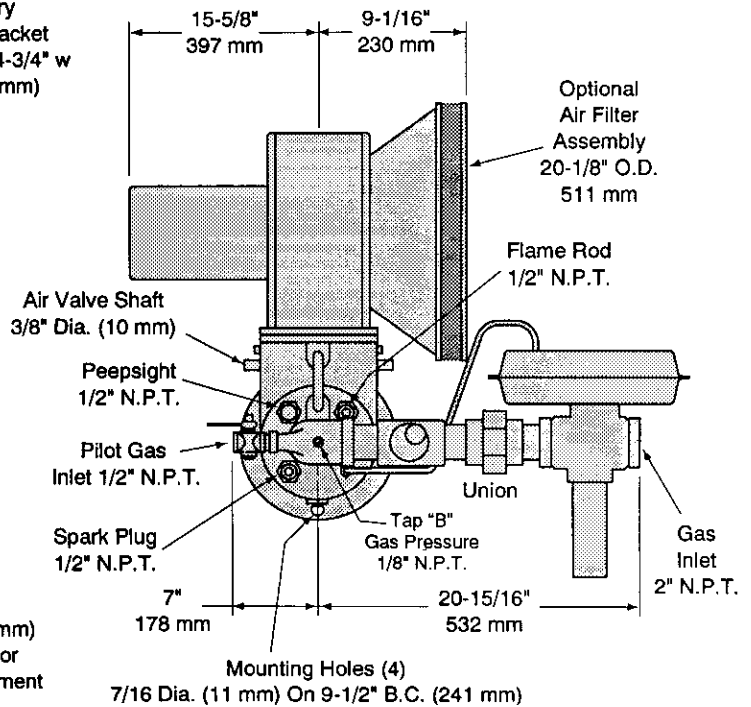
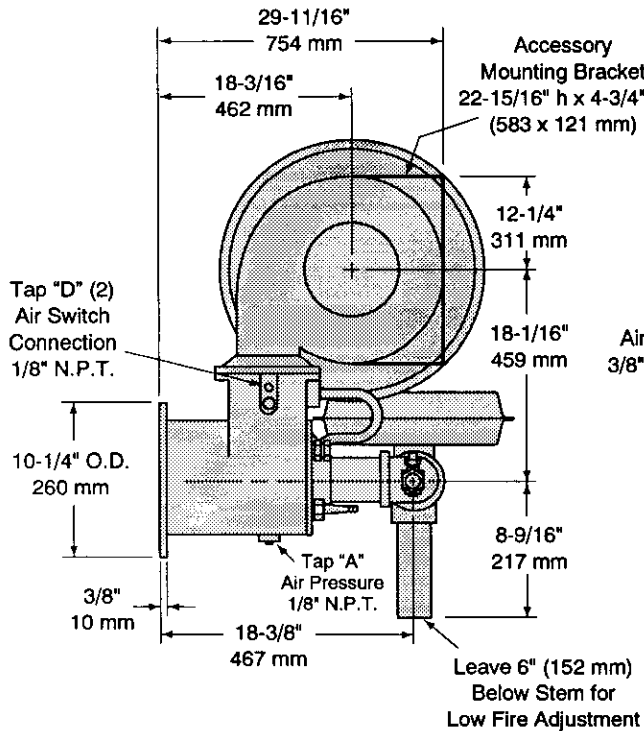


ECLIPSE COMBUSTION

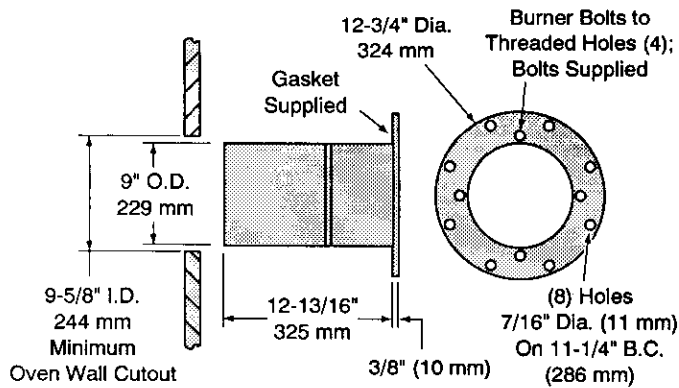
Dimensions, 600 RM

Dimensions are subject to change without notice. Contact Eclipse for certified prints prior to fabrication or installation.

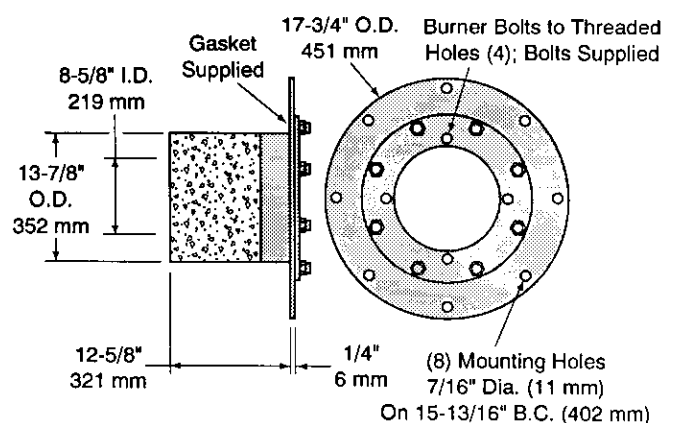
Blower motor and air filter positions can be reversed in the field.



Alloy Tube Assembly



Block & Holder Assembly



Component Information

Item	Description	Part #
600 RM Burner Assembly	With Standard Head and Alloy Tube Assembly	110358
	With Alloy Head and Alloy Tube Assembly	110358-1
	With Alloy Head and Block & Holder Assembly	110336-1
Air Filter Assembly	Optional	110282
Replacement Filter Element	---	11128
Spark Plug & Flame Rod ¹	For burner with tube or block.	13581
Alloy Tube Assembly ²	With two gaskets	110248
Block & Holder Assembly ²	---	187150-61
Blower Motor ¹	5 hp, 230/460/3/60 TEFC, 3600 RPM	17230
Proportionator ¹	Eclipse ABP, 2"	500627
Pilot Cock ¹	Eclipse lever handle, 1/2"	10627
Gas Adjusting Butterfly ¹	Eclipse 108 BV, 2"	500991

¹ Included with burner assembly.

² Not interchangeable in the field. Contact Eclipse for converting tubes to blocks and vice versa.



Offered By:

Power Equipment Company
2011 Williamsburg Road
Richmond, Virginia 23231
Phone (804) 236-3800
Fax (804) 236-3882

www.peconet.com